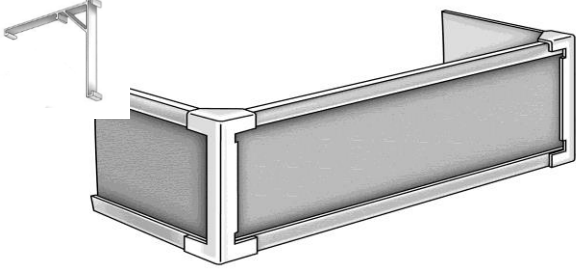
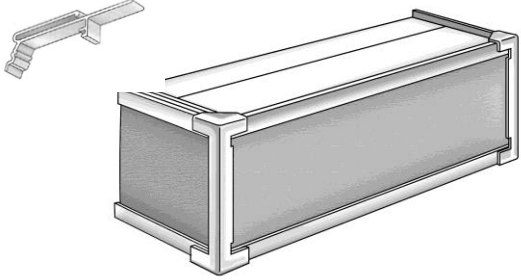
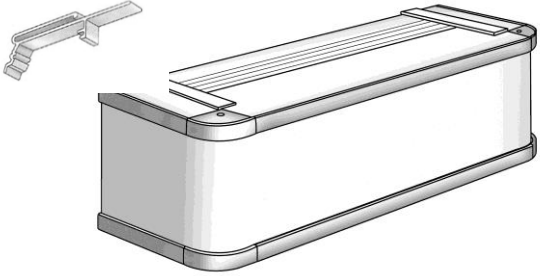
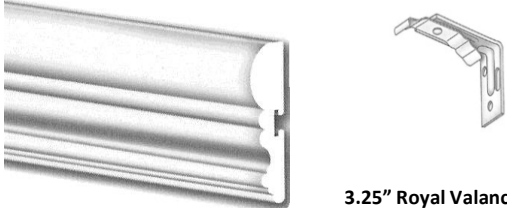


## Vertical Blind Valance Options

Economy Channel Panel Valance	Square Corner Dust Cover Valance
<p><i>Not Available with M-1000 &amp; M-1200 Headrails</i></p>  <ul style="list-style-type: none"> <li>• 3-1/2" High Face</li> <li>• Single Piece Square Corner</li> <li>• Visible Valance Clip</li> <li>• Inside Mount Returns 1-1/2" Long</li> <li>• Outside Mount Returns 3-1/2" Long</li> <li>• Not available Fauxwood Verticals</li> <li>• Minimum Width 5"</li> <li>• Maximum Width Single Piece Valance 16'</li> </ul>	 <ul style="list-style-type: none"> <li>• 3-1/2" High Face</li> <li>• Single Piece Square Corner</li> <li>• Hidden Valance Clip</li> <li>• Inside Mount Returns 1-1/2" Long</li> <li>• Outside Mount Returns 3-1/2" Long</li> <li>• Minimum Width 5"</li> <li>• Maximum Width Single Piece Valance 16'</li> </ul>
Round Corner Valance	Royal Valance
 <ul style="list-style-type: none"> <li>• 3-1/2" High Face</li> <li>• 3-Piece Round Corner</li> <li>• Hidden Valance Clip</li> <li>• Inside Mount Returns 1-1/2" Long</li> <li>• Outside Mount Returns 3-1/2" Long</li> <li>• Not available with Fauxwood Verticals</li> <li>• Minimum Width 5"</li> <li>• Maximum Width Single Piece Valance 16'</li> </ul>	<p><i>These Valances Match The Available Horizontal Blind Valances (Outside Mount Only on Verticals)</i></p>  <p>3.25" Royal Valance</p> <ul style="list-style-type: none"> <li>• Hidden Metal L-Bracket</li> <li>• Outside Mount Returns 3-1/2" Long</li> <li>• Recommended for 3-1/2" Fauxwood Verticals (surcharge applies)</li> <li>• Not available for Fabric Verticals</li> <li>• Minimum Width 8"</li> <li>• Maximum Width Single Piece Valance 9'</li> </ul>

### Valances Options:

- **Economy Valance = No Charge Option** for Designer PVC Patterns (Tables 1 through 8)
  - **Chargeable** Option for Builder's Quality, Regular Curved, & Regular Flat PVC's (Tables A & B)
- **Square Corner Valance = No Charge Option** for Designer PVC Patterns (Tables 1 through 8)
  - **Chargeable** Option for Builder's Quality, Regular Curved, & Regular Flat PVC's (Tables A & B)
- **Round Corner Valance = No Charge Option** for Designer PVC Patterns (Tables 1 through 8)
  - **Chargeable** Option for Builder's Quality, Regular Curved, & Regular Flat PVC's (Tables A & B)
  - Not available for 3-1/2" Fauxwood Textured & Fauxwood RealGrain Vertical Blinds
- **Royal Valances = See Price Tables for Additional Charges**
  - Not available for Free Hanging or Inserted Fabric Verticals