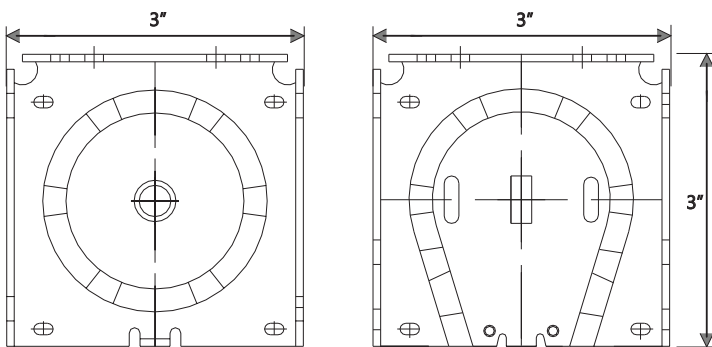


STANDARD COMPONENTS

- ① Plate Screws
- ② Motor Bracket Adapter Plate
- ③ Sonesse 30
- ④ Crown and Drive
- ⑤ Motor Bracket
- ⑥ 1½" Tube, Available in 1¾"
- ⑦ Idle End
- ⑧ Idle End Bracket
- ⑨ Spline
- ⑩ Sealed Pocket Hembar
- ⑪ Bracket End Caps
- ⑫ 3" Square Fascia, Available in 4"

BRACKET FOR 3" FASCIA



BRACKET FOR 4" FASCIA

