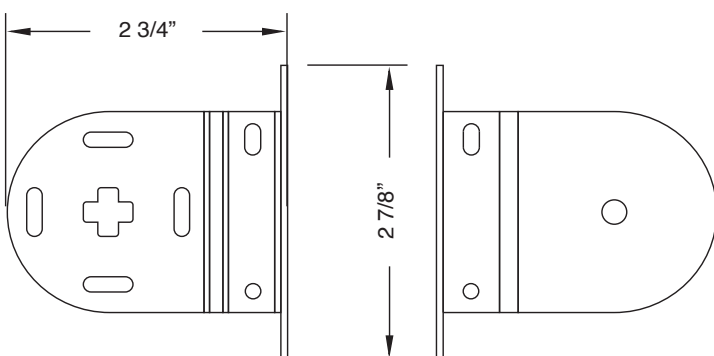


**STANDARD COMPONENTS**

- ① Plate Screws
- ② Motor Bracket Adapter Plate
- ③ Sonesse 30
- ④ Crown and Drive
- ⑤ Motor Bracket
- ⑥ 1 1/2" Tube, Available in 1 3/4"
- ⑦ Idle End
- ⑧ Idle End Bracket
- ⑨ Spline
- ⑩ Sealed Pocket Hembar
- ⑪ Bracket End Caps

**S-16 BRACKET FOR 1 1/2" Tube**



**S-24 BRACKET FOR 1 3/4" Tube**

